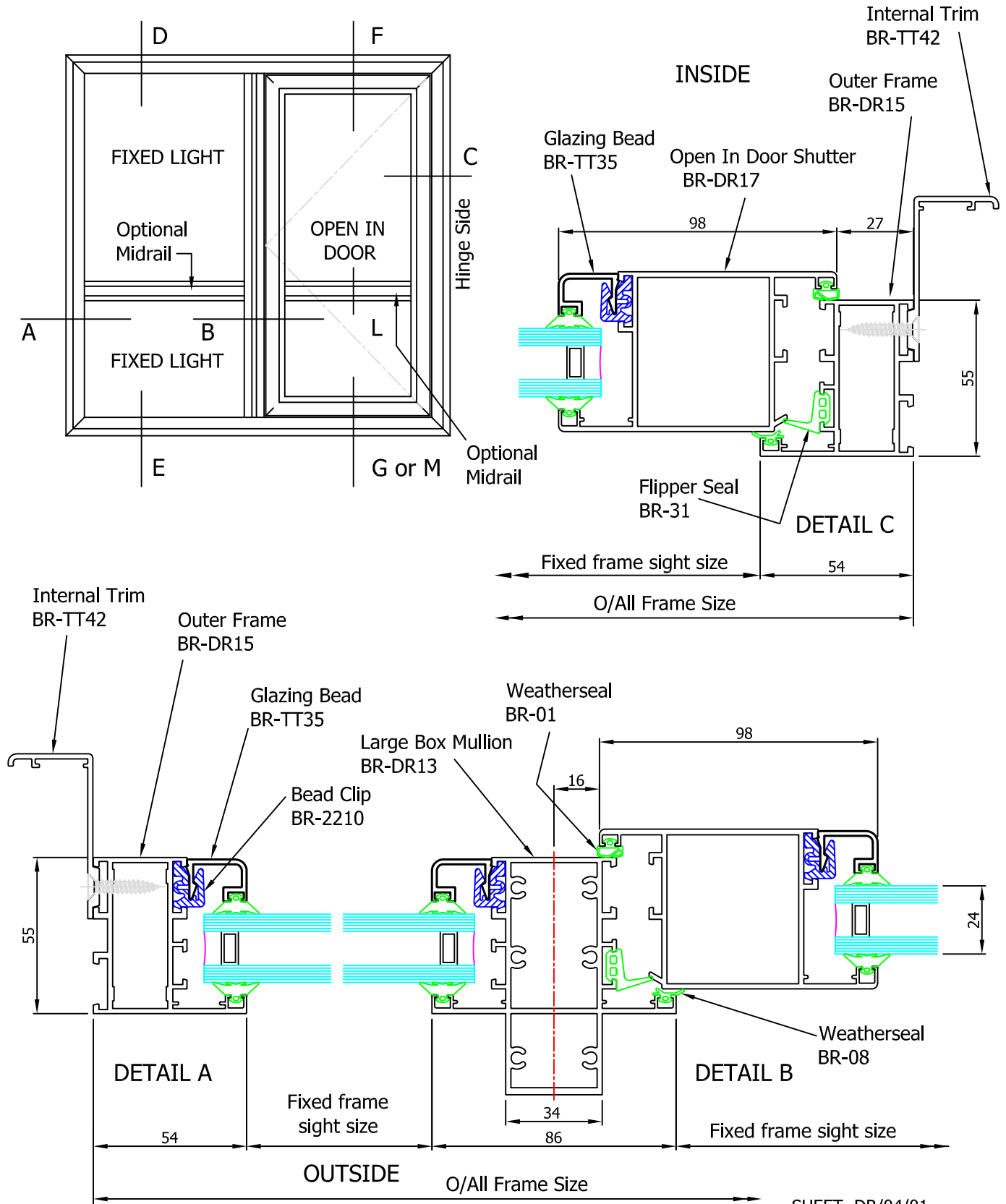
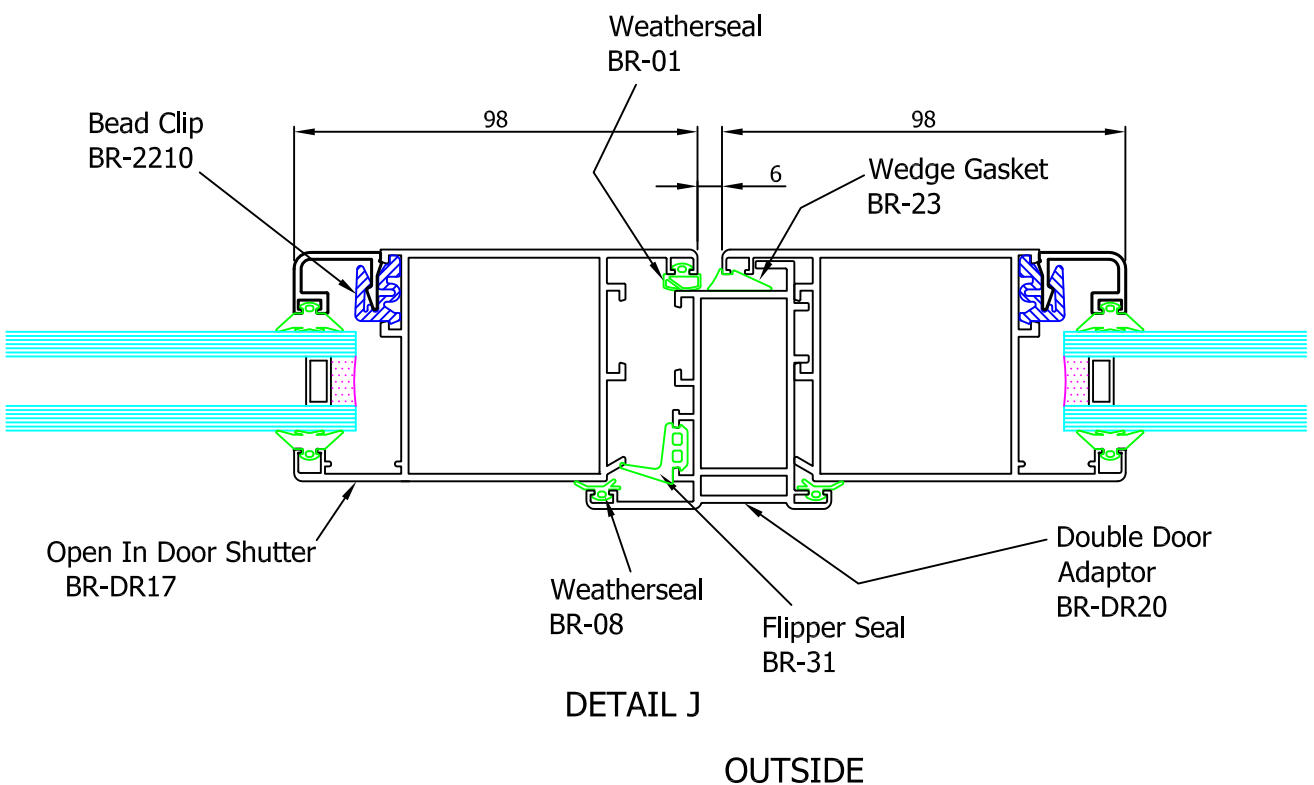
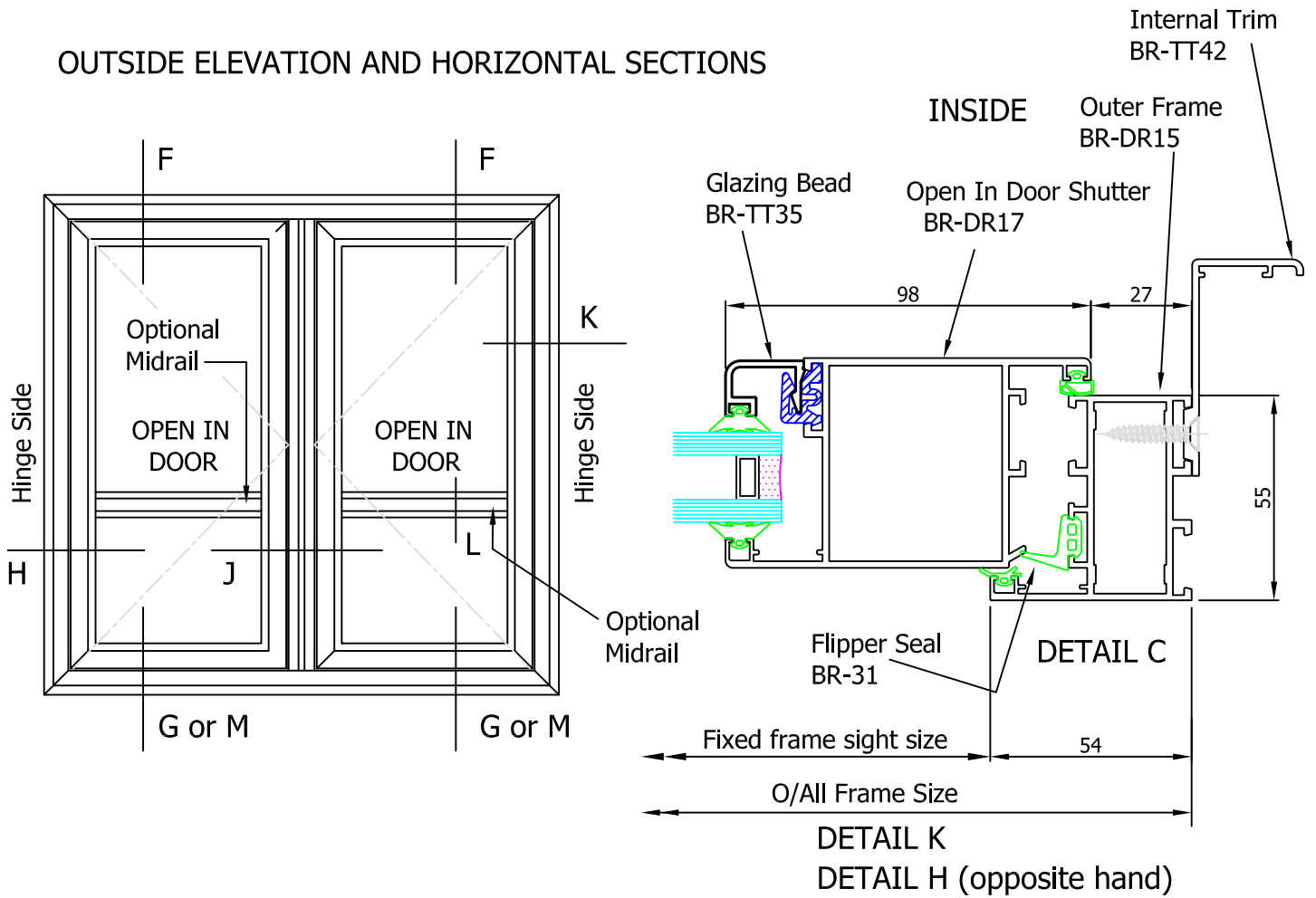


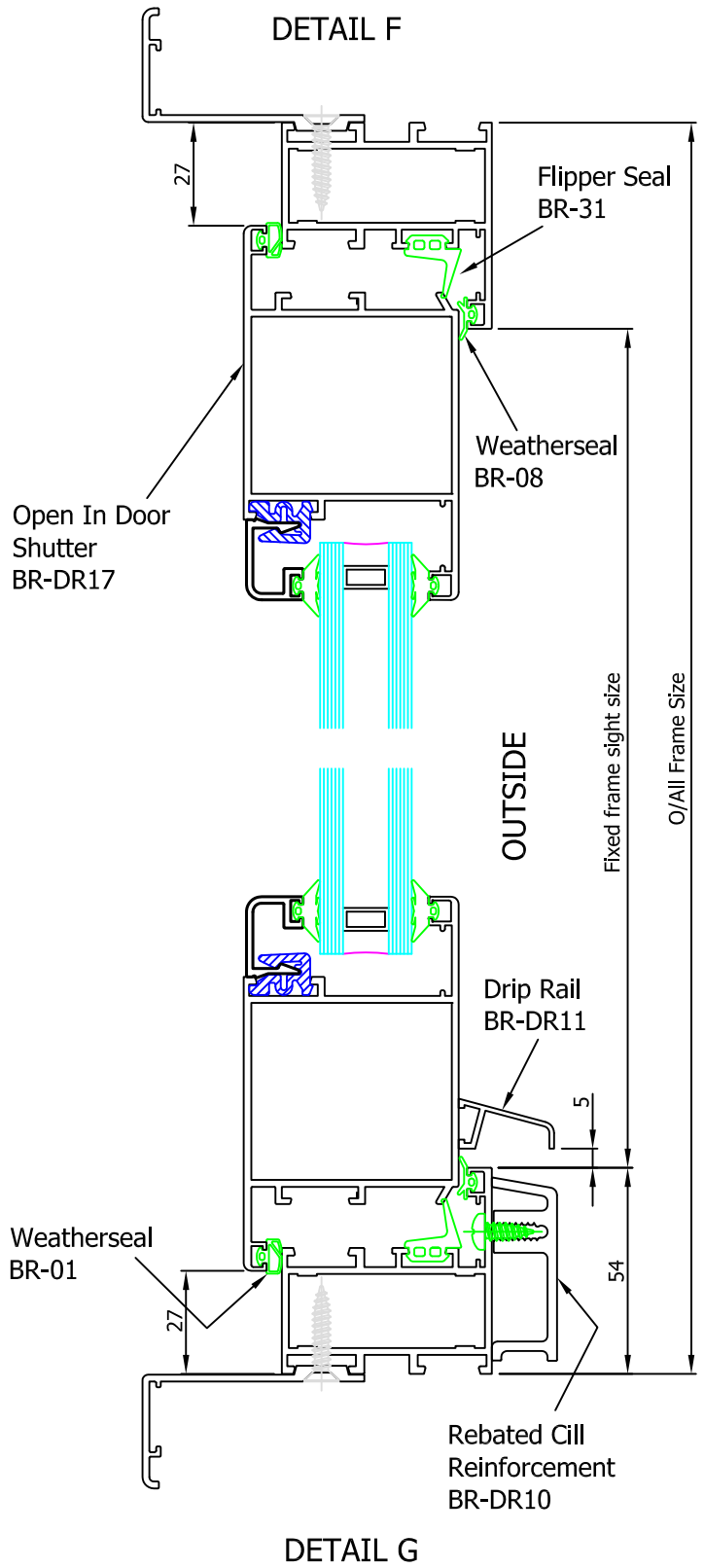
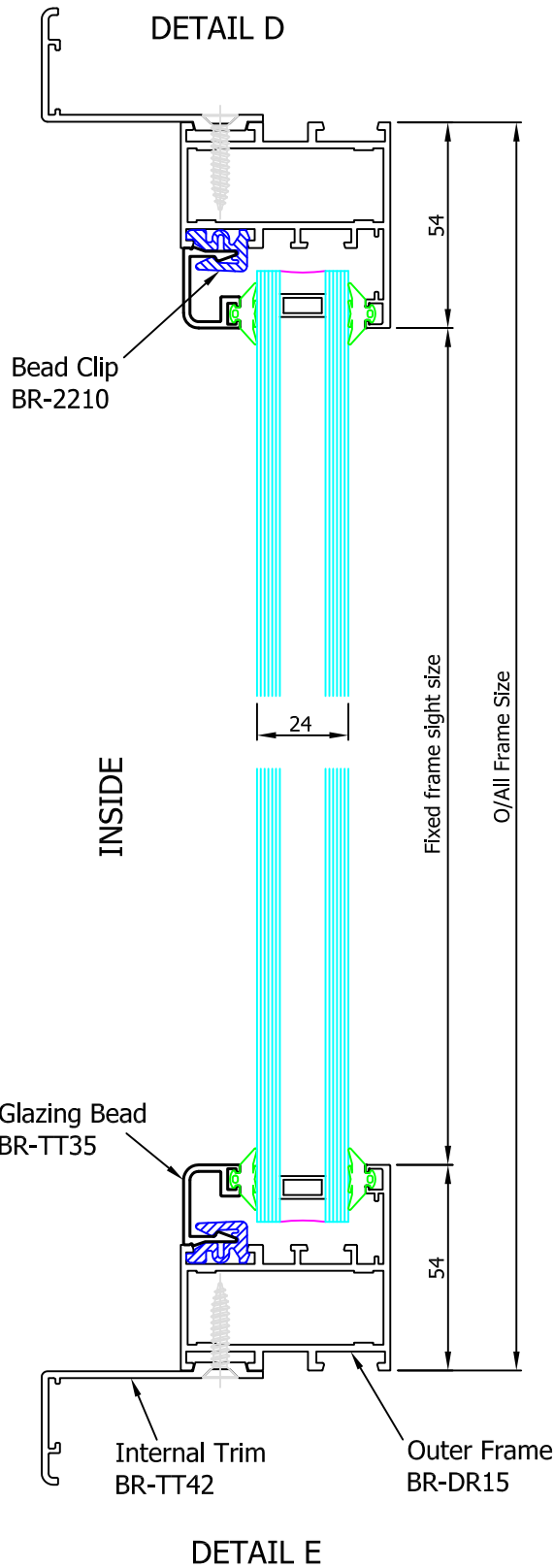
OUTSIDE ELEVATION AND HORIZONTAL SECTIONS

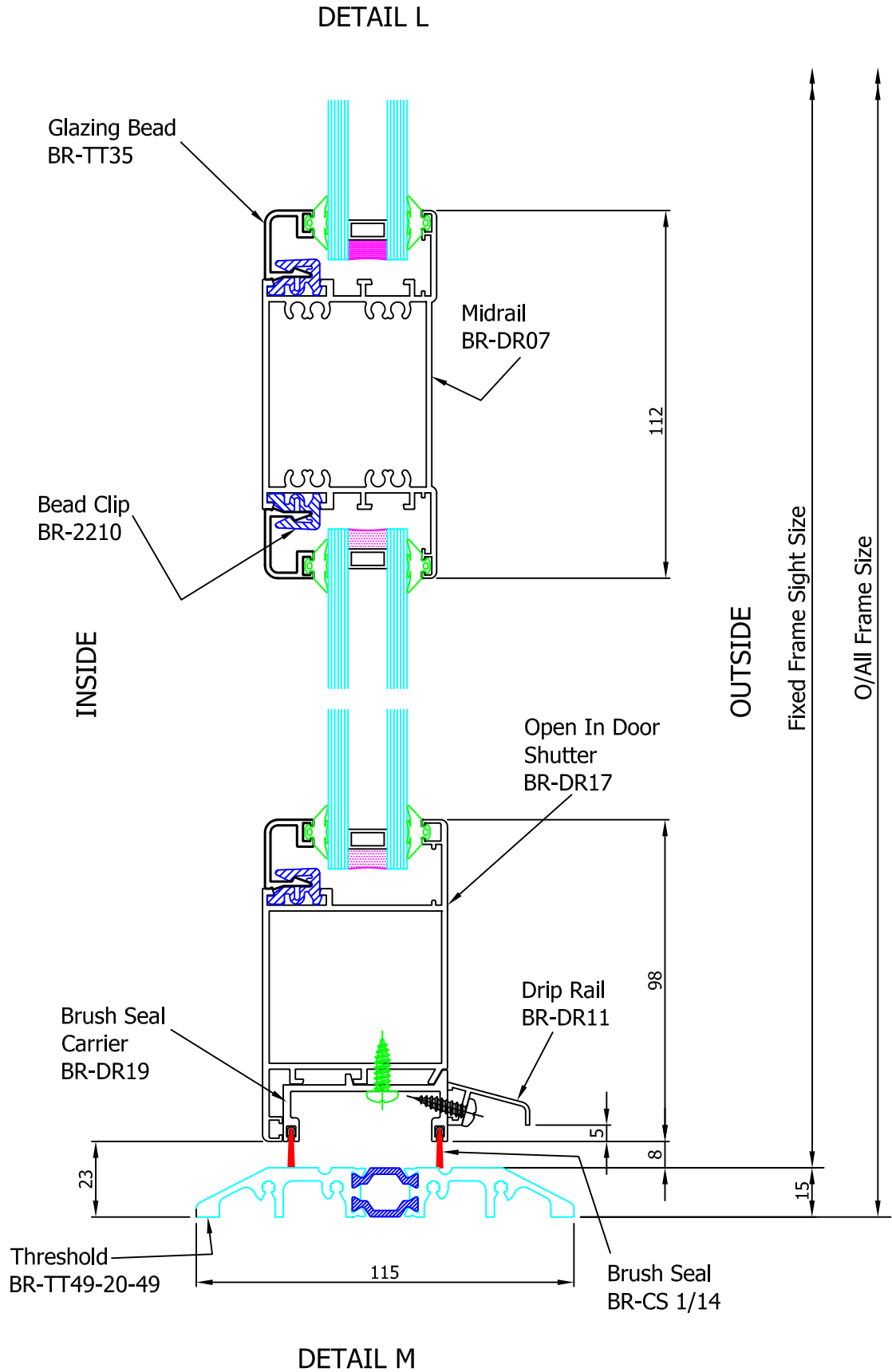


OUTSIDE ELEVATION AND HORIZONTAL SECTIONS

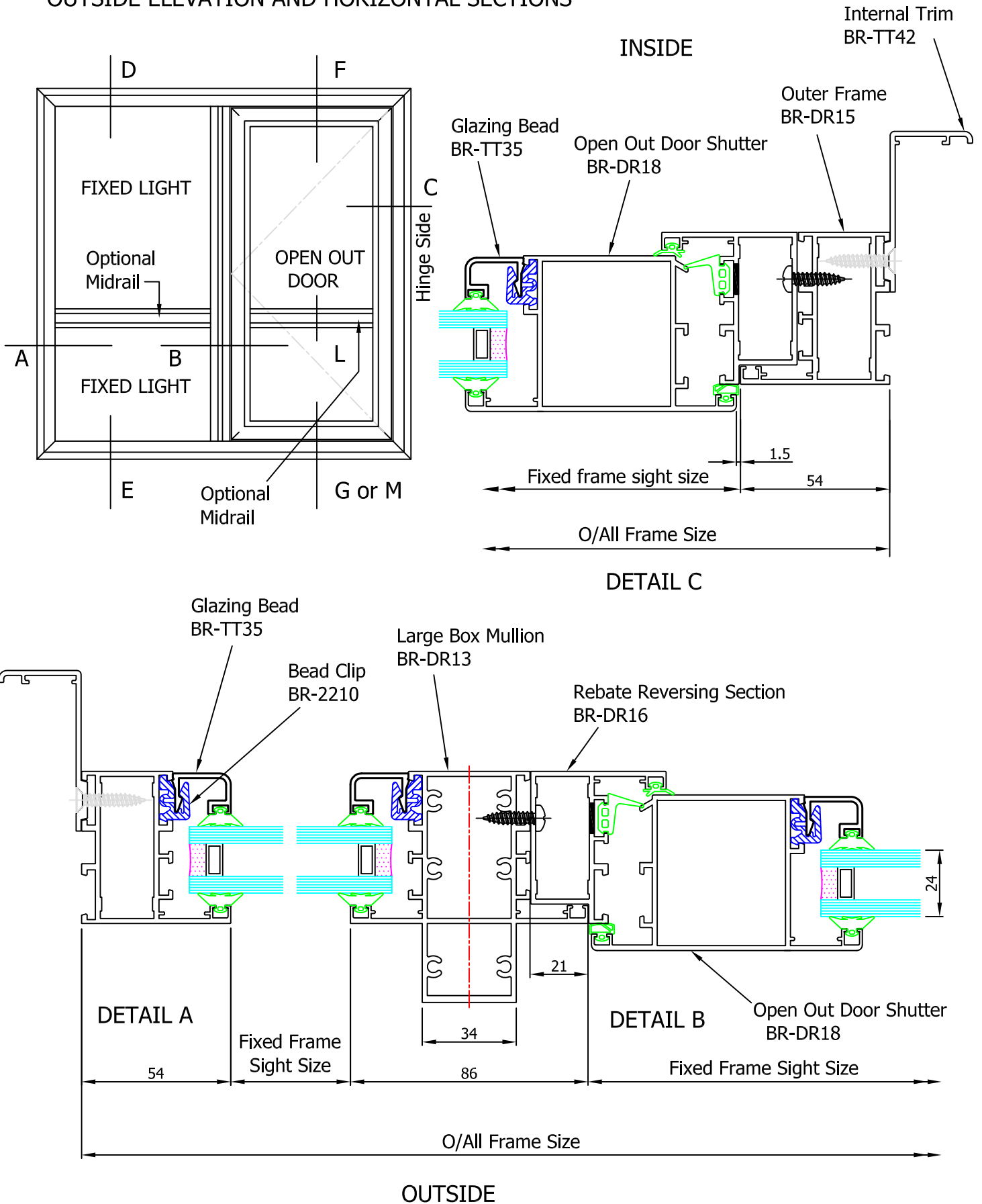


VERTICAL SECTIONS

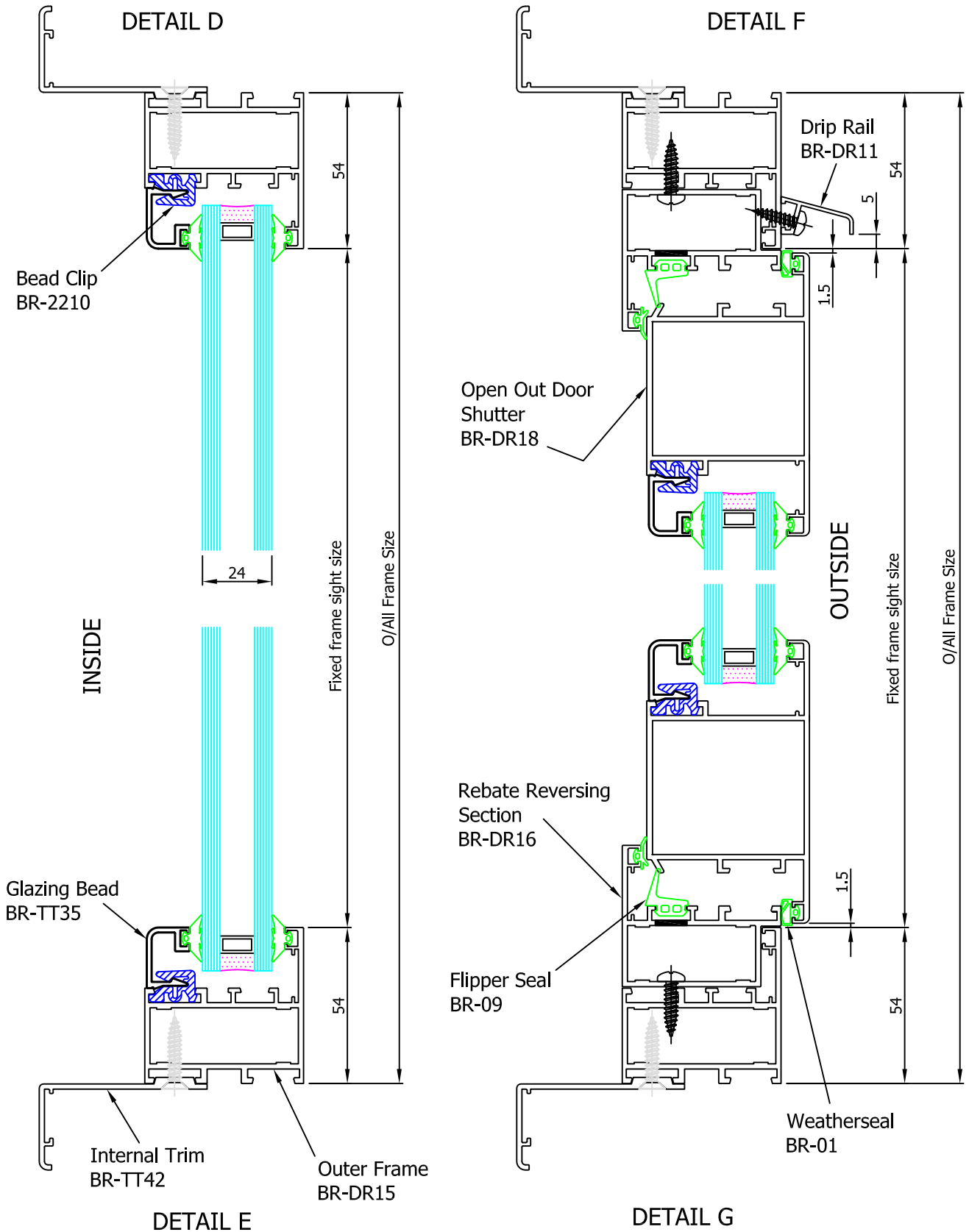




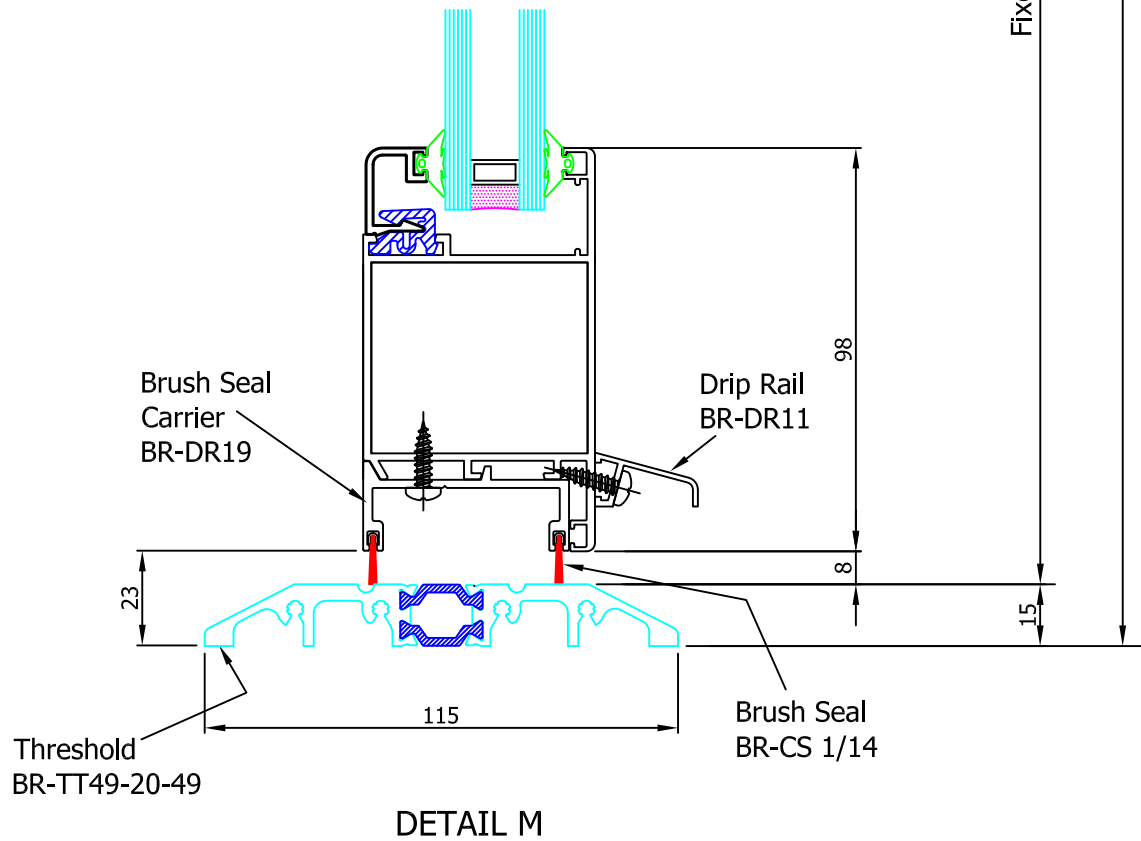
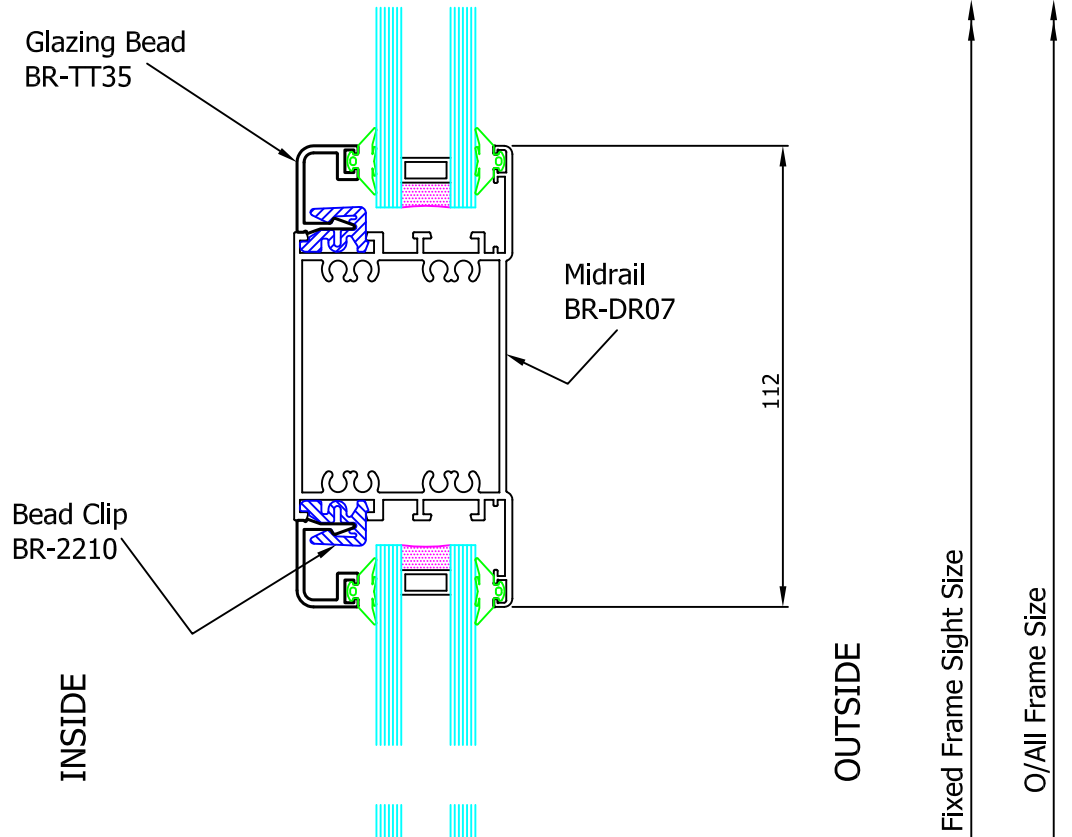
OUTSIDE ELEVATION AND HORIZONTAL SECTIONS



VERTICAL SECTIONS

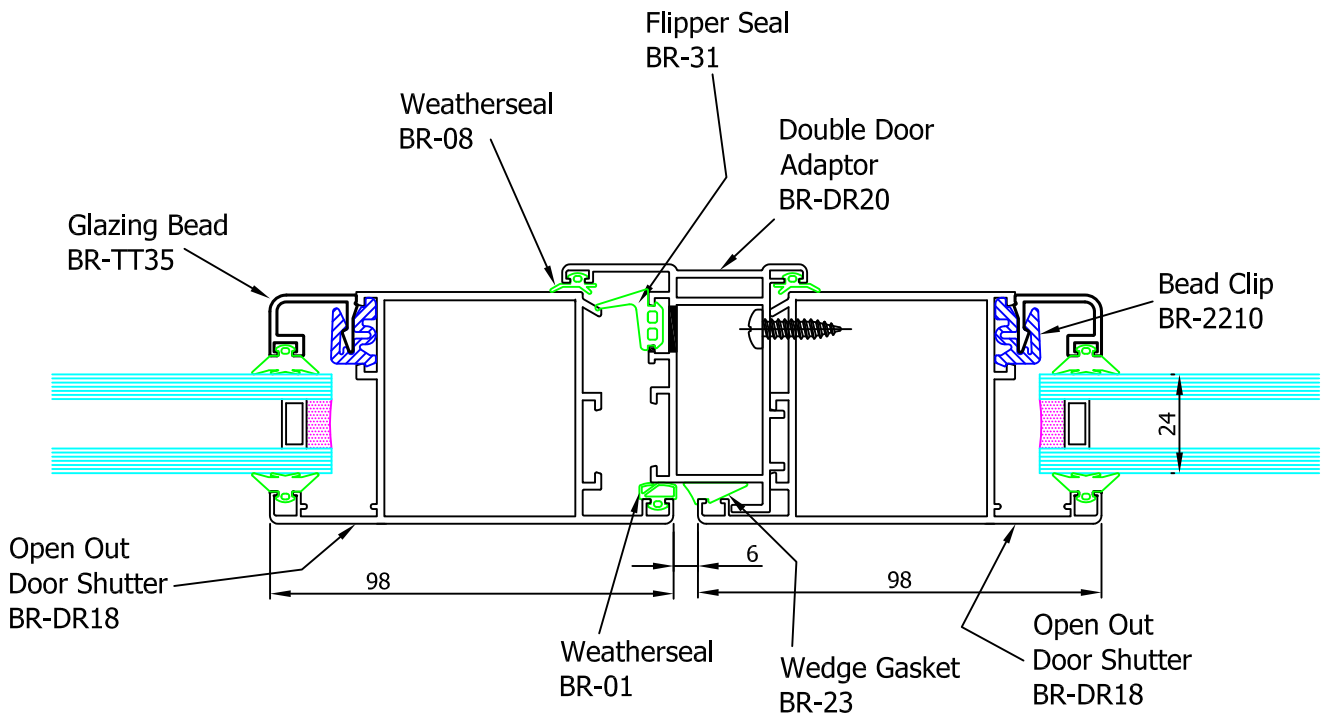
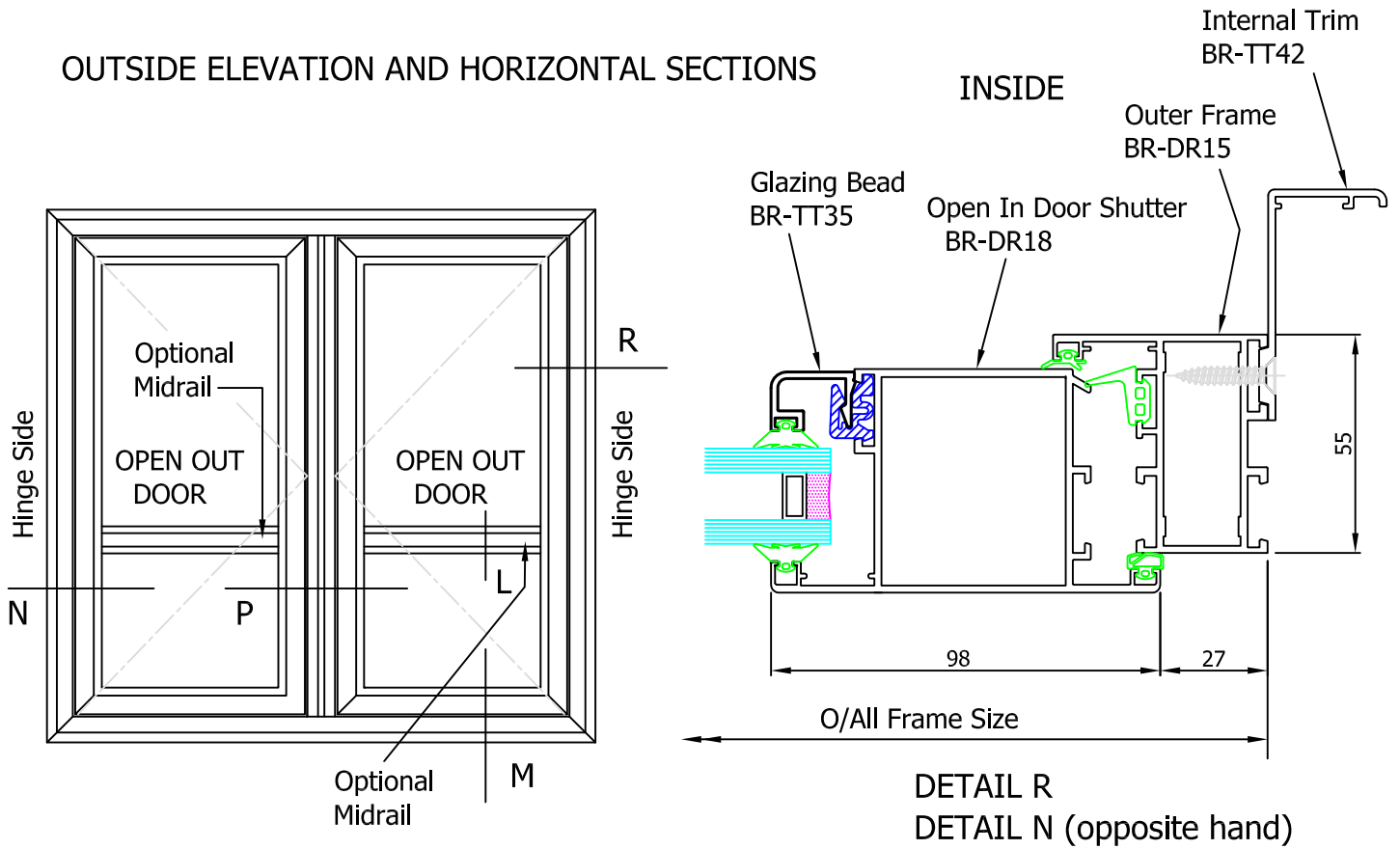


DETAIL L



DETAIL M

OUTSIDE ELEVATION AND HORIZONTAL SECTIONS



DETAIL P

OUTSIDE