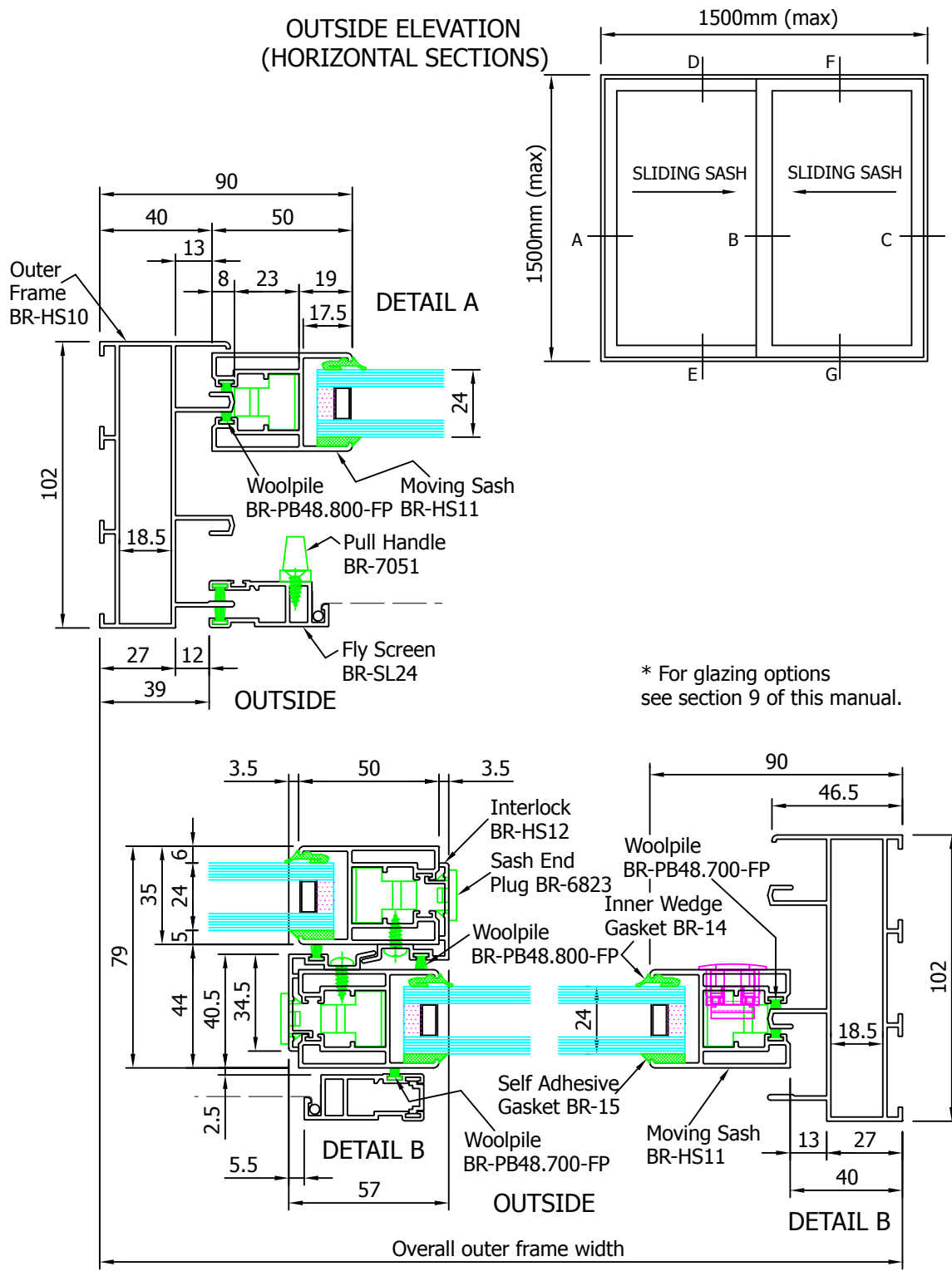
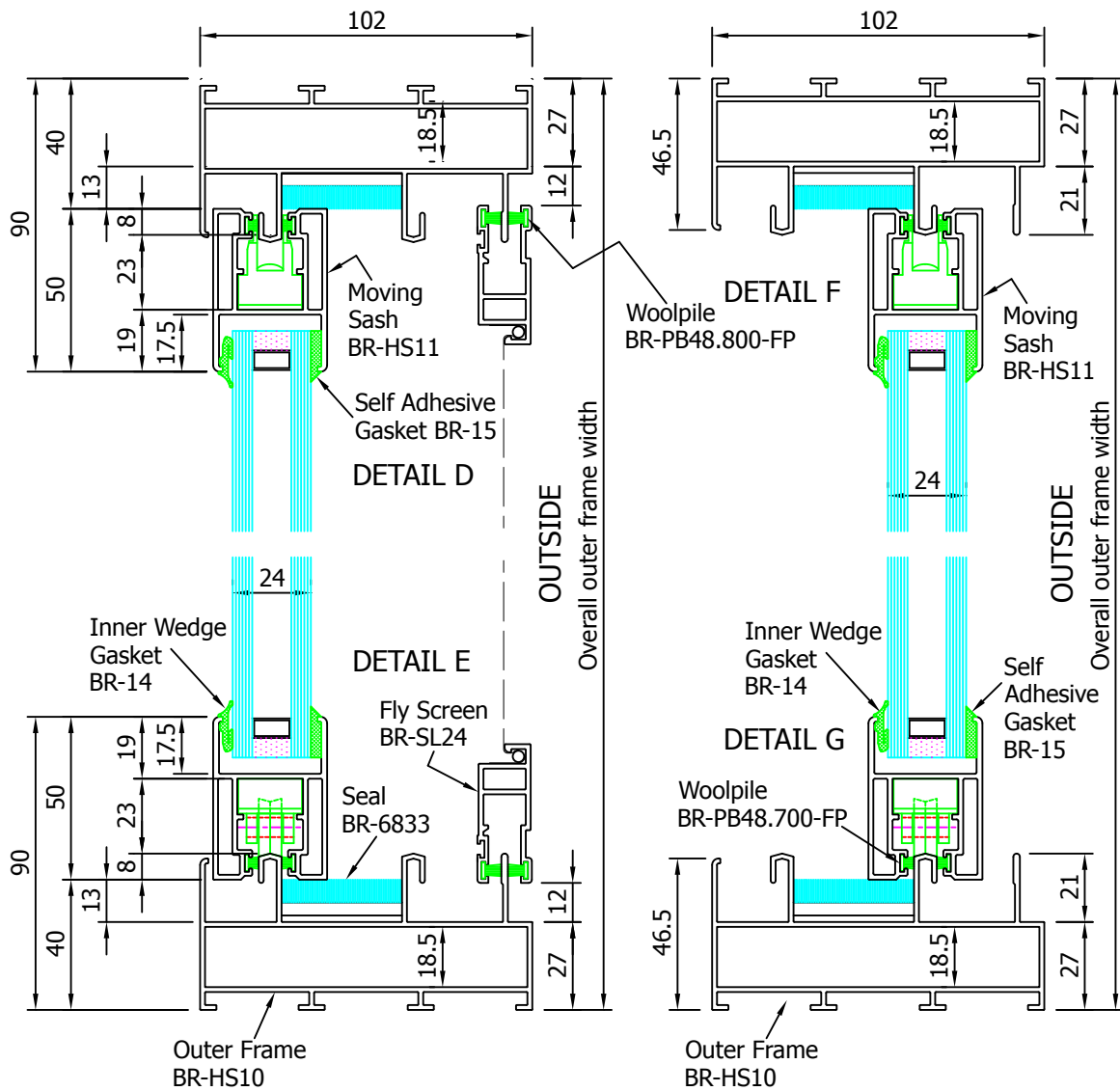
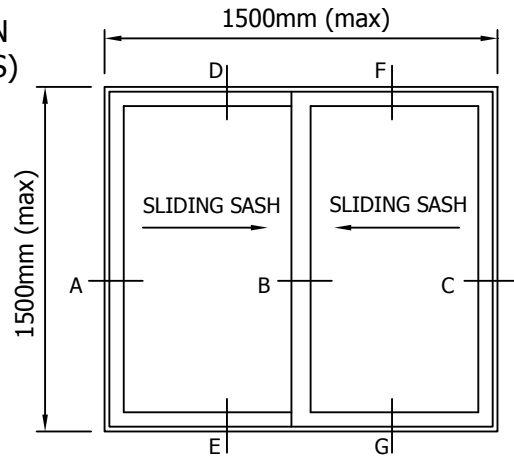


NTB - 102 - SLIDE HORIZONTAL SLIDING WINDOW SYSTEM (NON-THERMALLY BROKEN) GENERAL ARRANGEMENT (WITH FLY SCREEN)

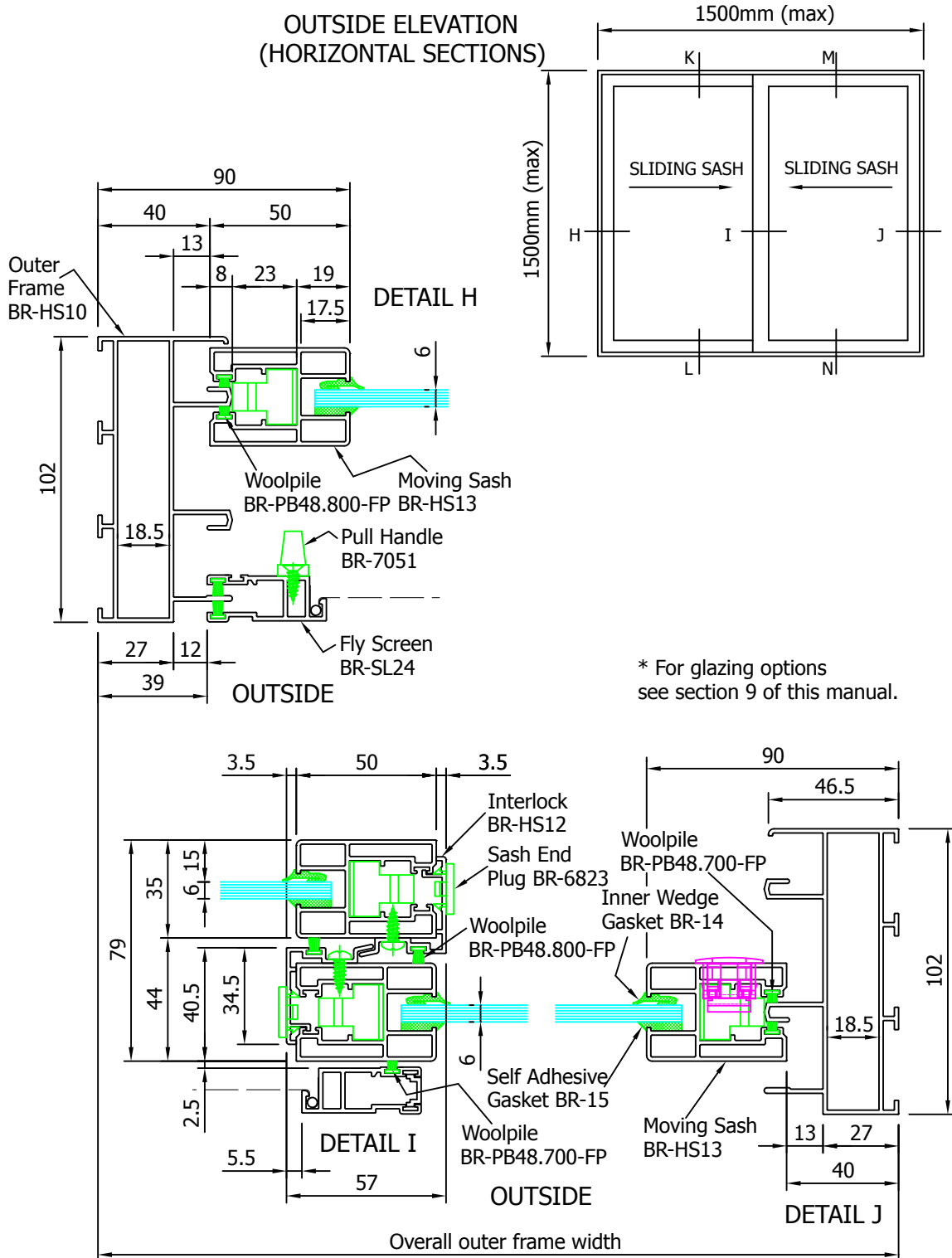


NTB - 102 - SLIDE HORIZONTAL SLIDING WINDOW SYSTEM (NON-THERMALLY BROKEN)
GENERAL ARRANGEMENT (WITH FLY SCREEN)

OUTSIDE ELEVATION
(VERTICAL SECTIONS)



NTB - 102 - SLIDE HORIZONTAL SLIDING WINDOW SYSTEM (NON-THERMALLY BROKEN) GENERAL ARRANGEMENT (WITH FLY SCREEN)



NTB - 102 - SLIDE HORIZONTAL SLIDING WINDOW SYSTEM (NON-THERMALLY BROKEN)
 GENERAL ARRANGEMENT (WITH FLY SCREEN)

OUTSIDE ELEVATION
 (VERTICAL SECTIONS)

