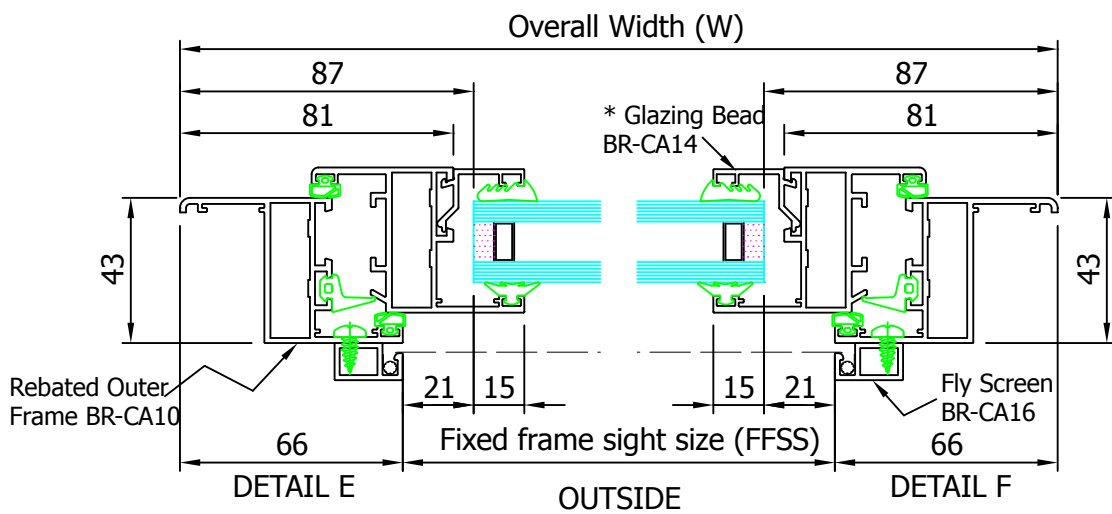
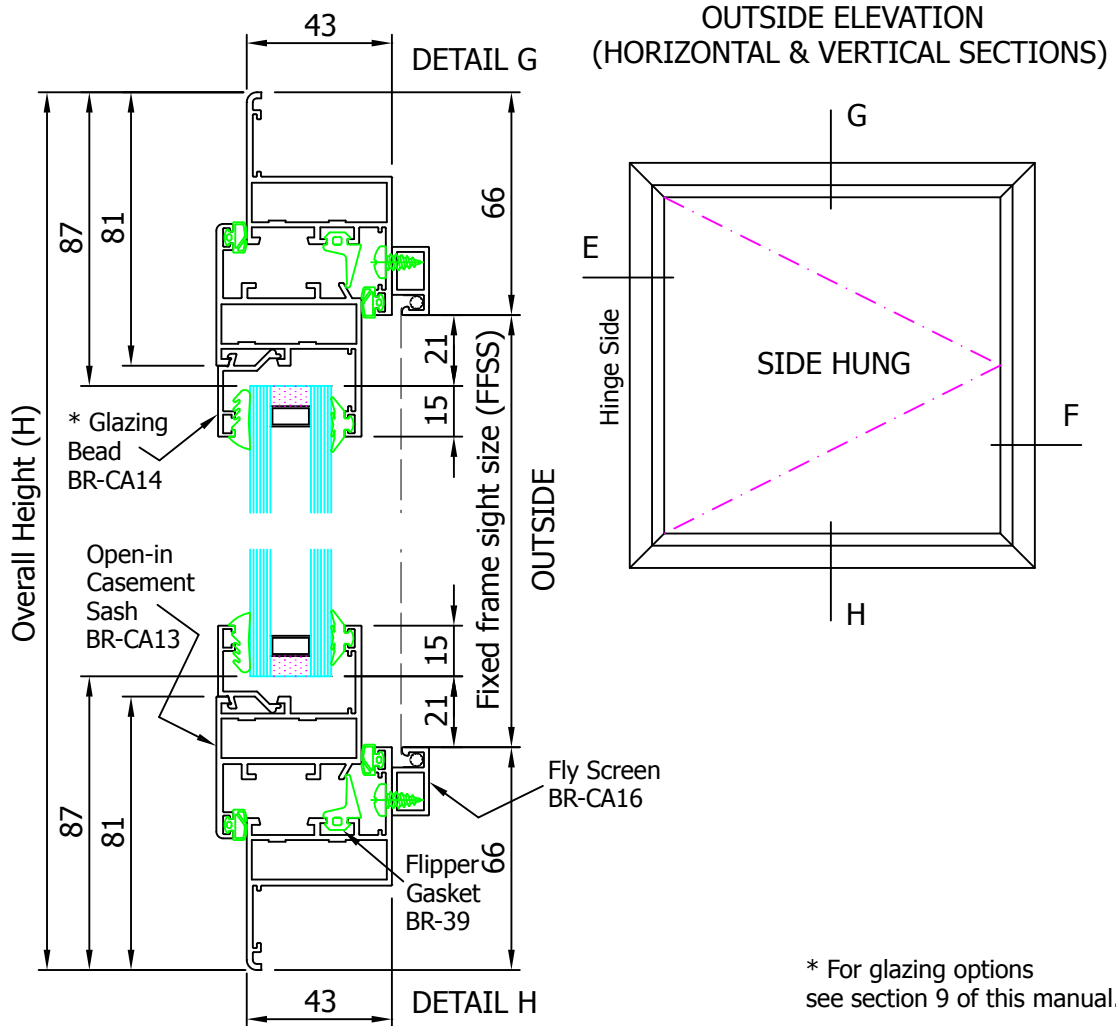
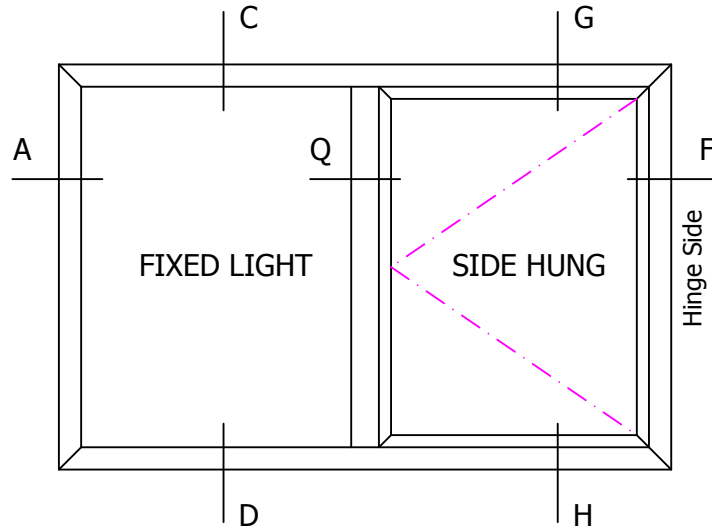


NTB - 43 - CASE OPEN-IN CASEMENT  
WINDOW SYSTEM (NON-THERMALLY BROKEN)  
GENERAL ARRANGEMENT - SIDE HUNG



OUTSIDE ELEVATION  
(HORIZONTAL & VERTICAL SECTIONS)



\* For glazing options see section 9 of this manual.

