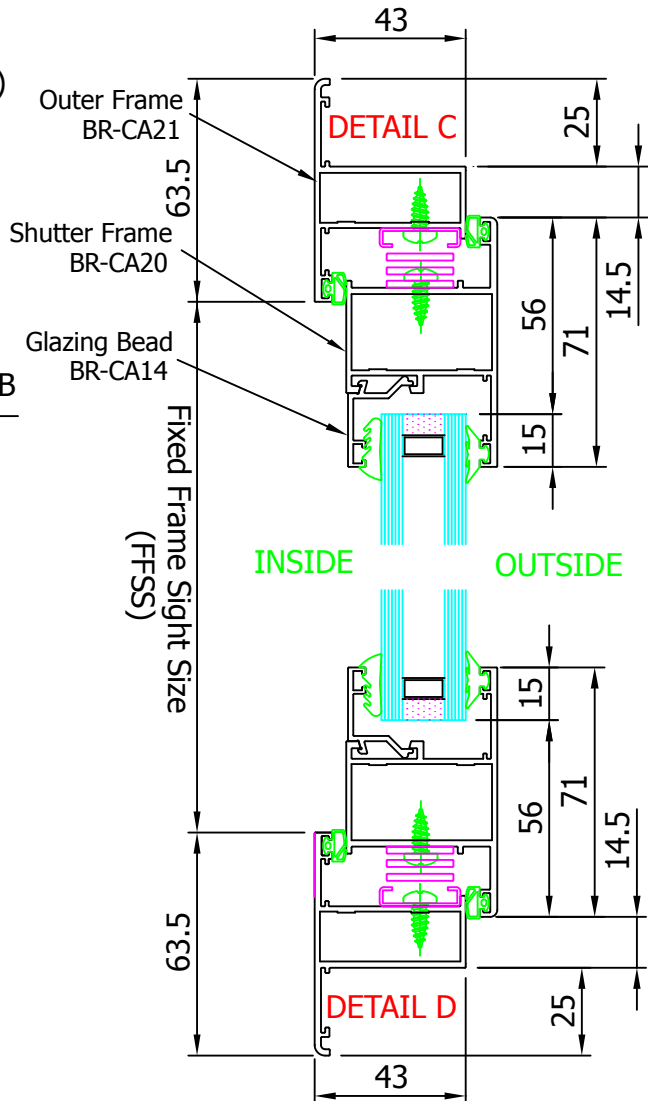
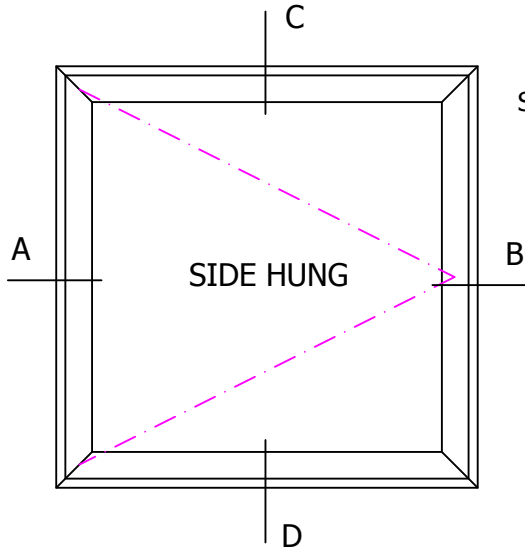
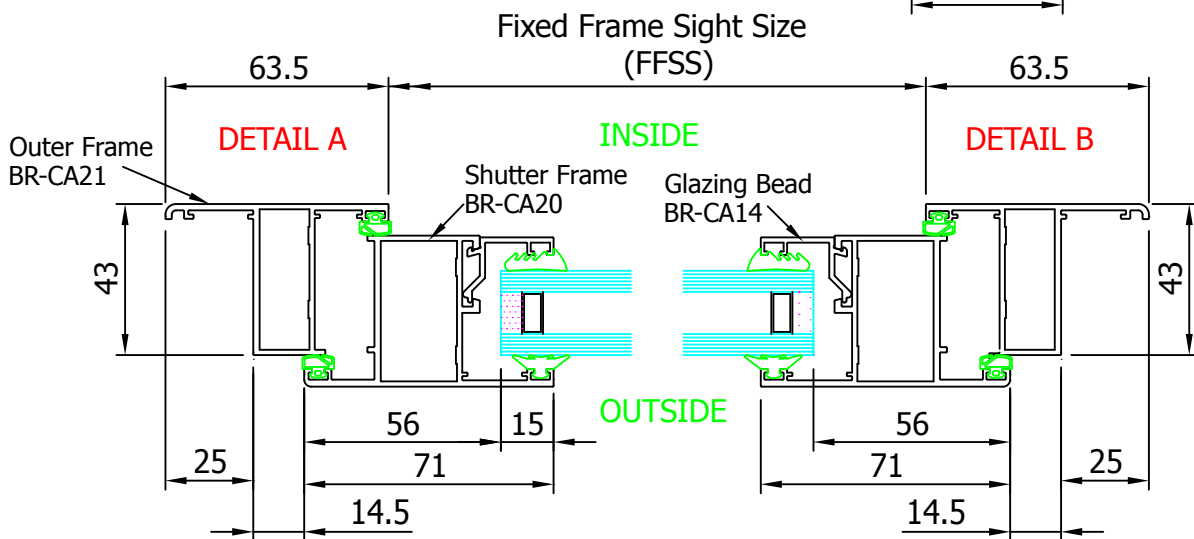


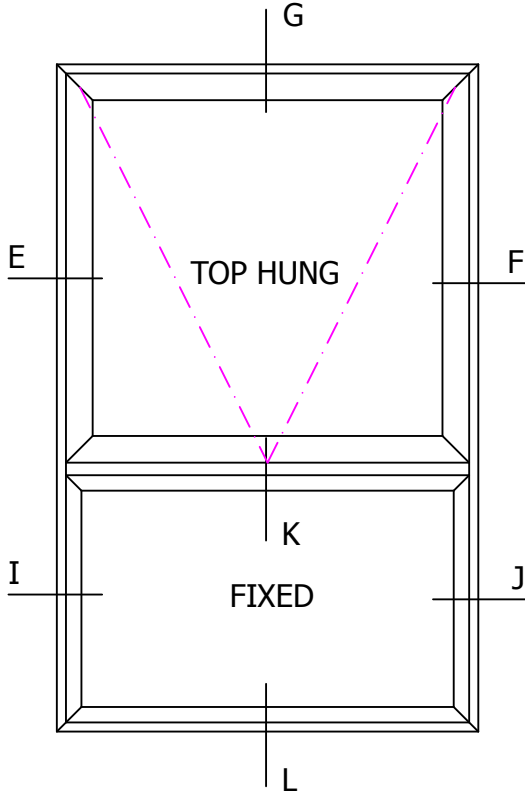
OUTSIDE ELEVATION
(HORIZONTAL & VERTICAL SECTIONS)



* For glazing options
see section 9 of this manual.



OUTSIDE ELEVATION
(HORIZONTAL & VERTICAL SECTIONS)



* For glazing options see section 9 of this manual.

