

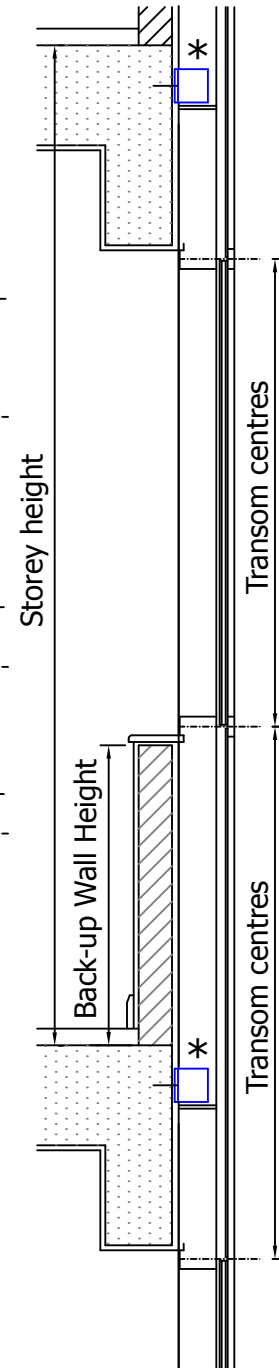
Elevation View From Outside

Typical Elevation
Scale 1:40

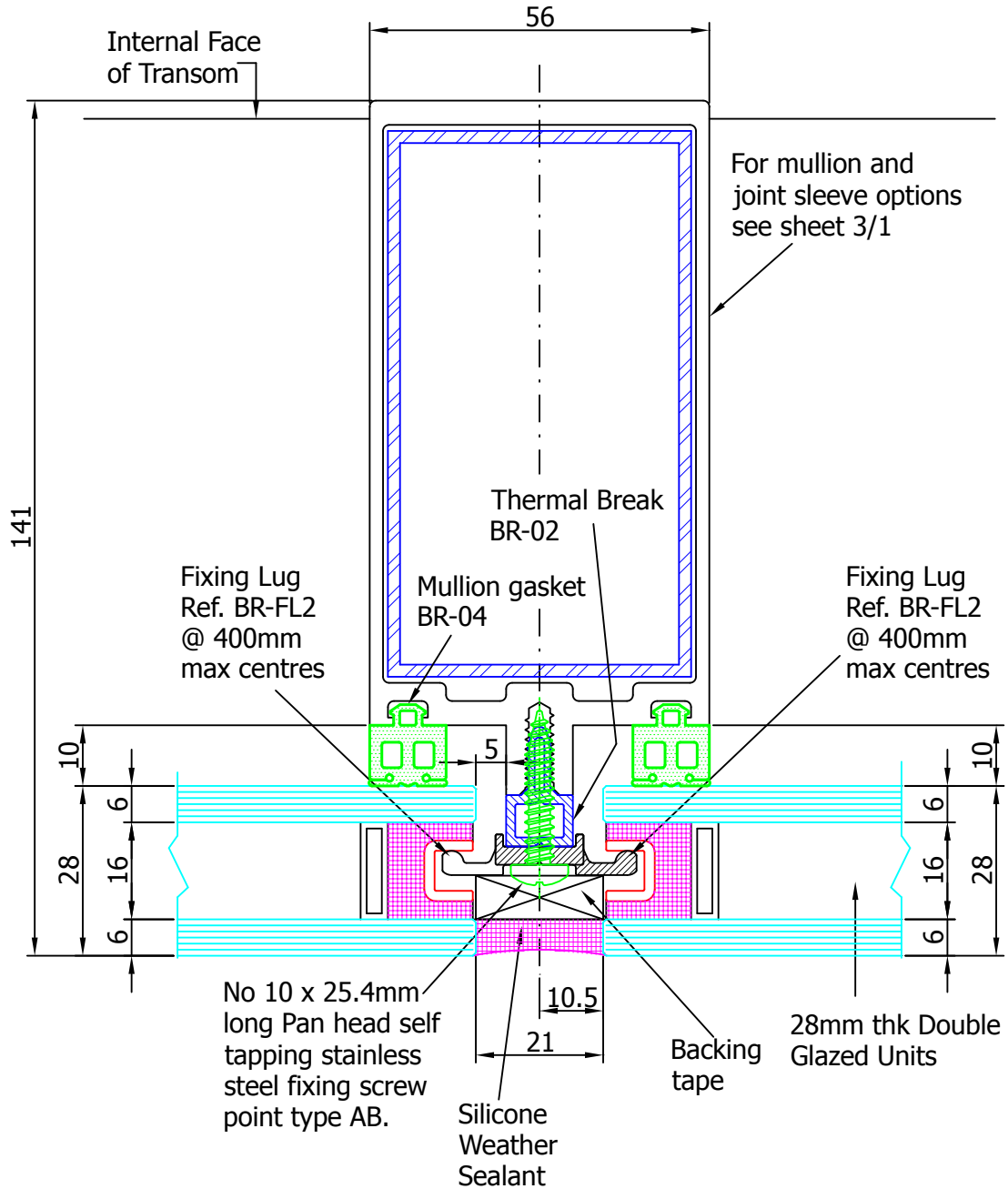
4 sided structural glazed with frameless fixed light curtain walling system

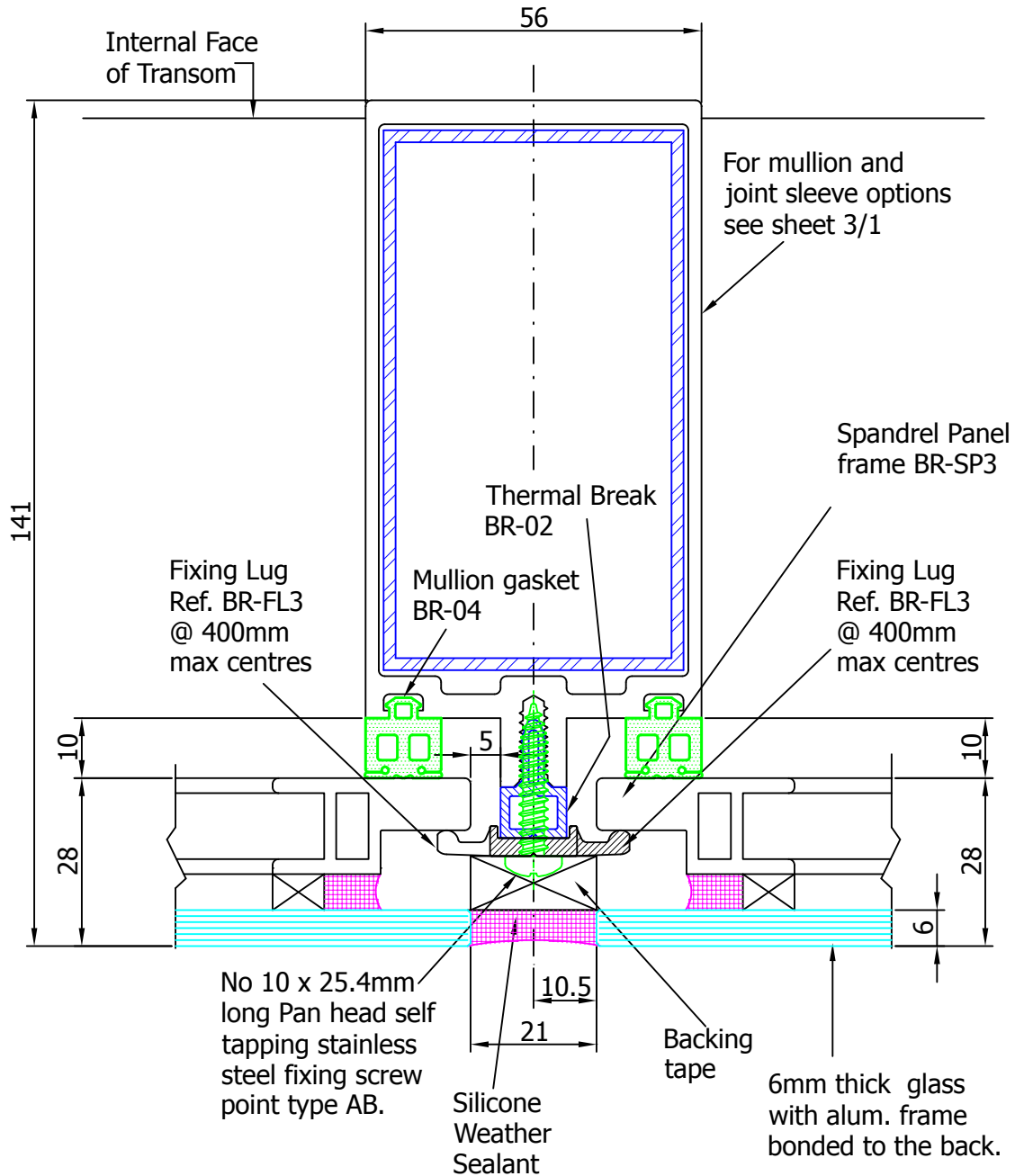
See full size details shown on Assembly drawings of Mullions & Transoms in section 4 of this manual

* : For typical Firestop details at floor slab see manual pages 4/20 & 4/21



Typical Vertical Section
Scale 1:20





* : For details of
Glazing Support
see sheet 6/2

