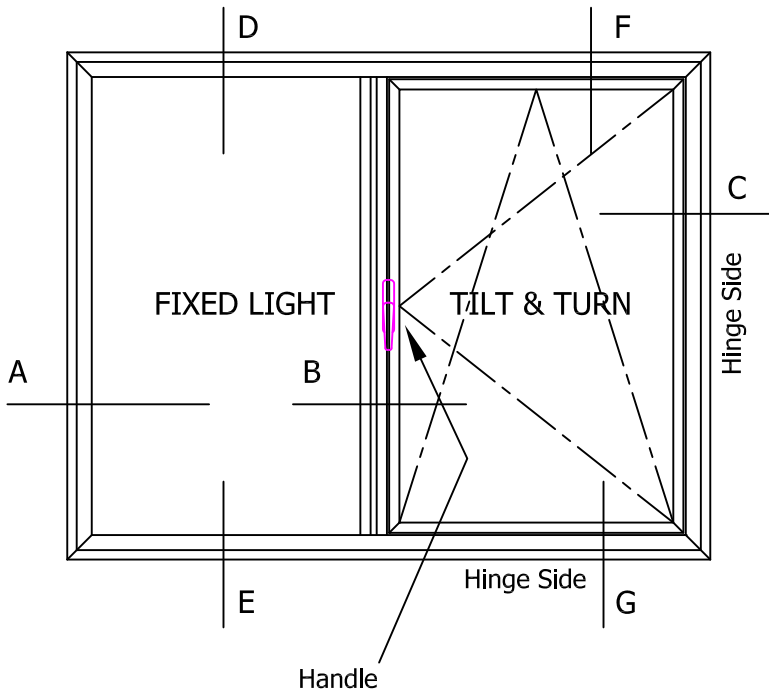
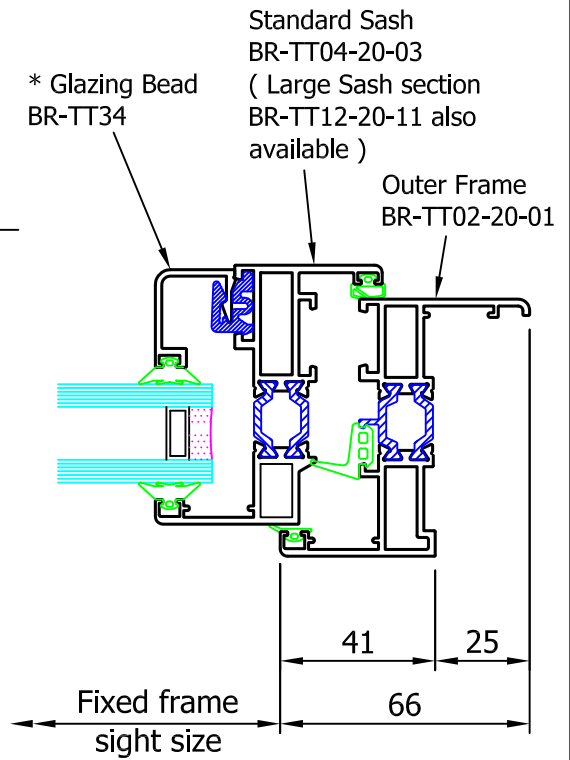


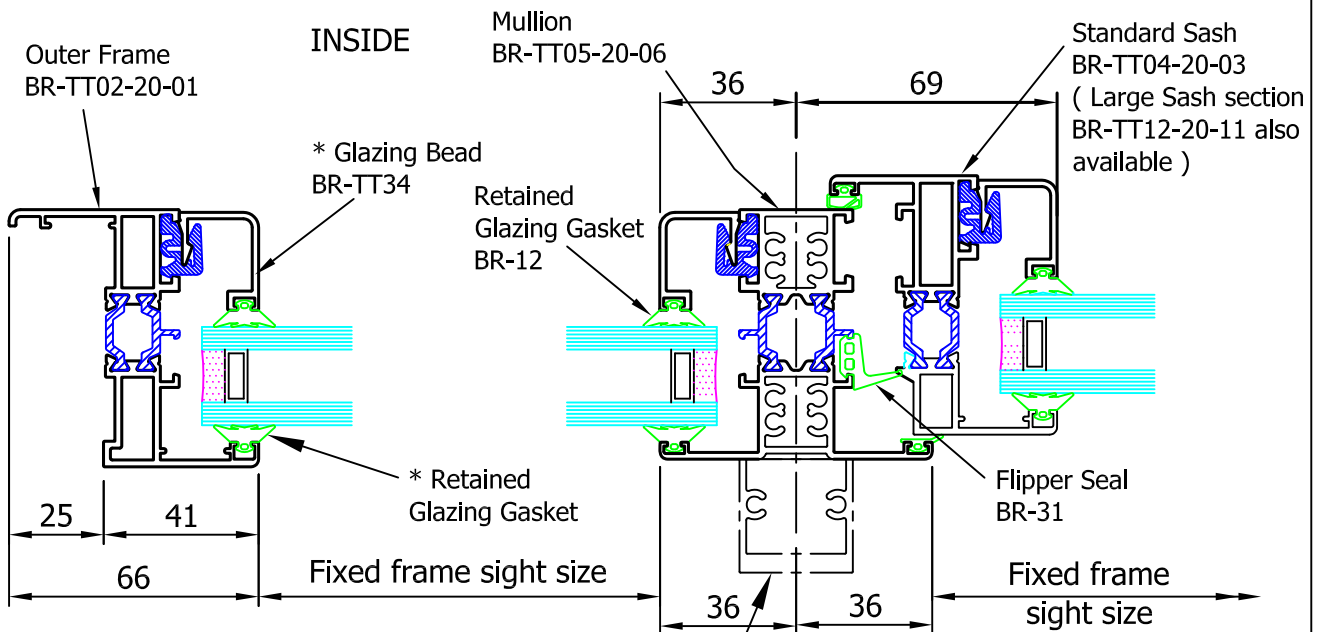
OUTSIDE ELEVATION AND HORIZONTAL SECTIONS



INSIDE



DETAIL C

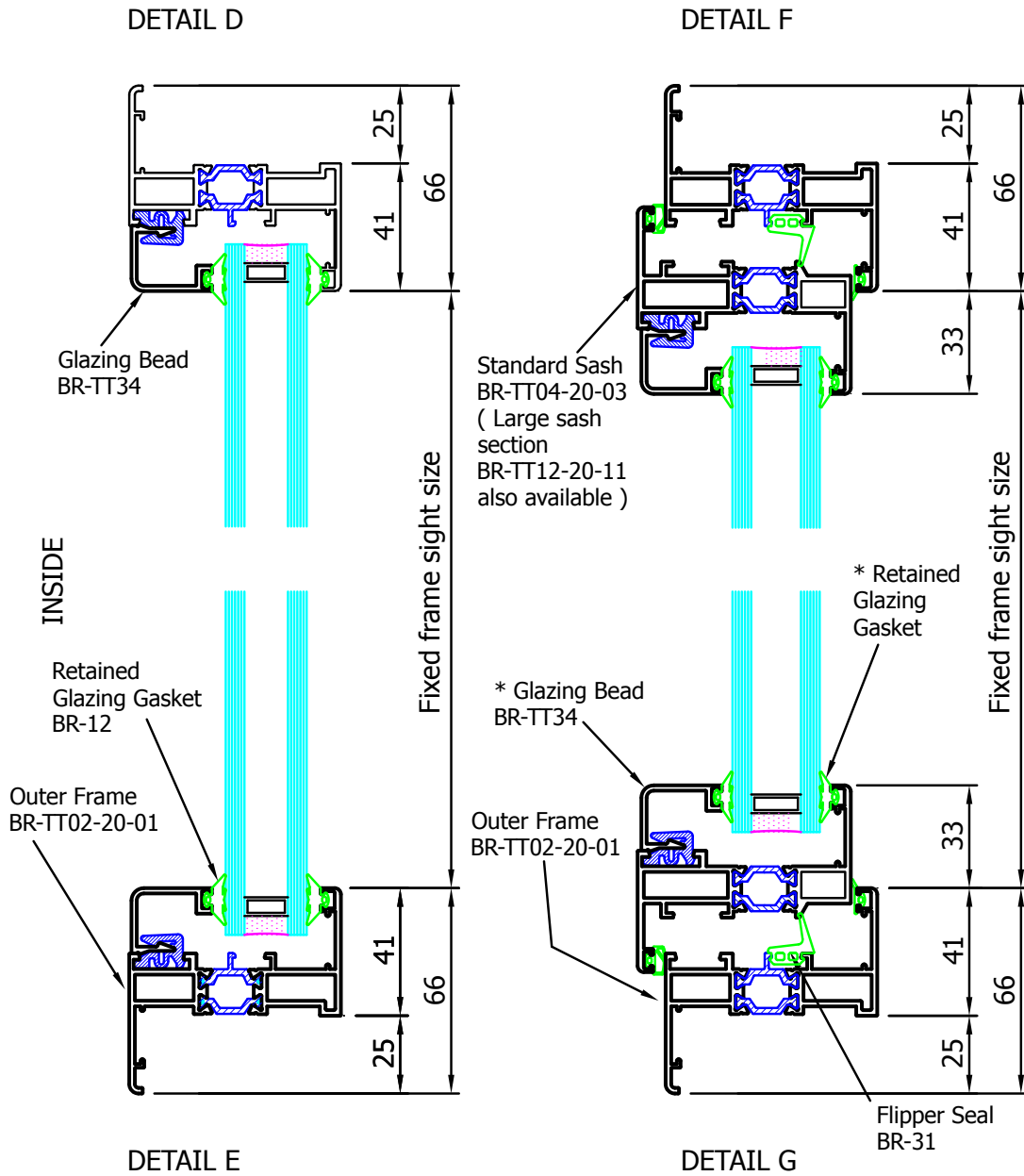


DETAIL A

* For glazing options
see section 9 of this manual.

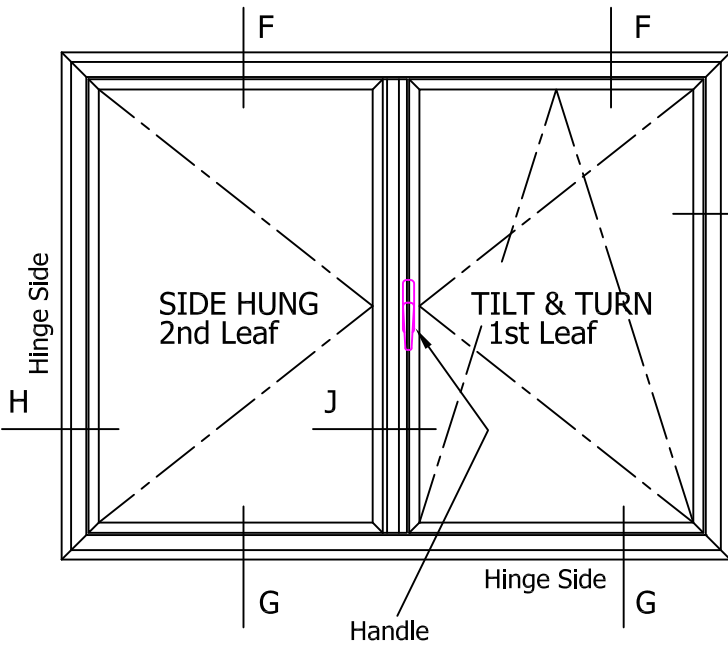
Box Mullion
BR-TT29-20-06

DETAIL B

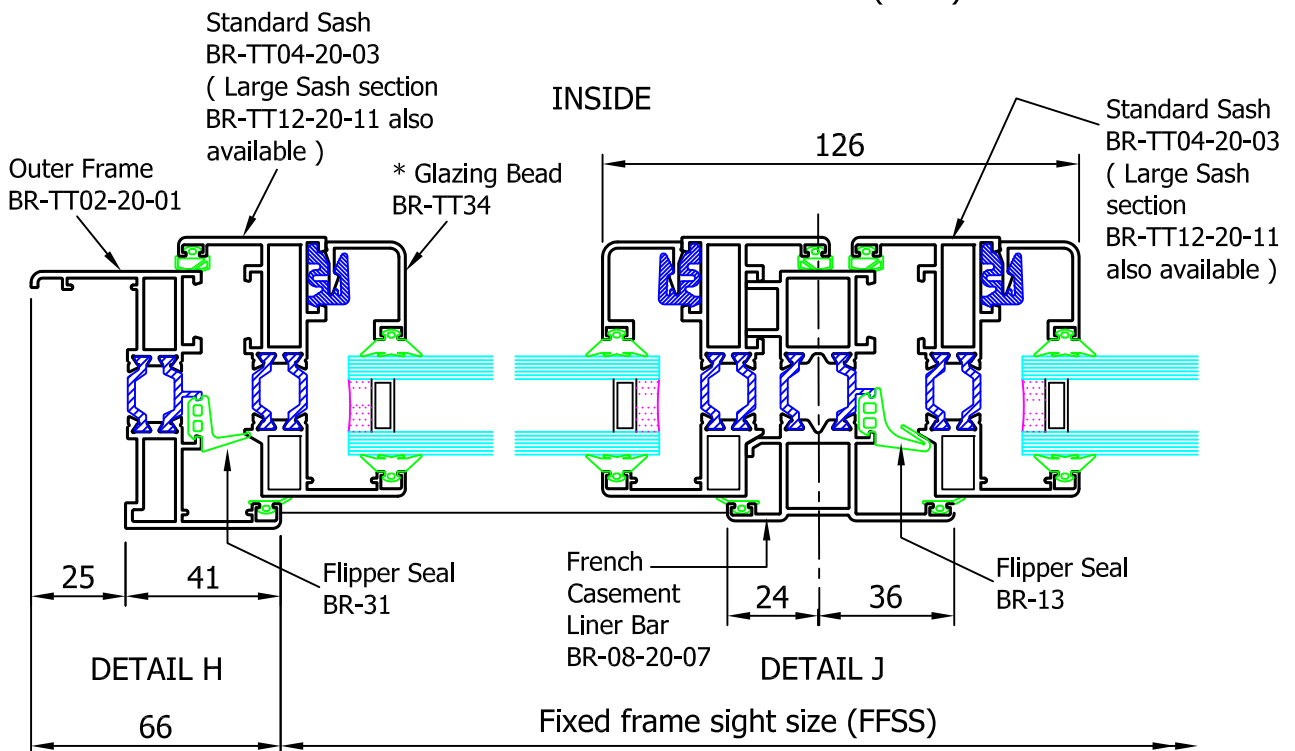
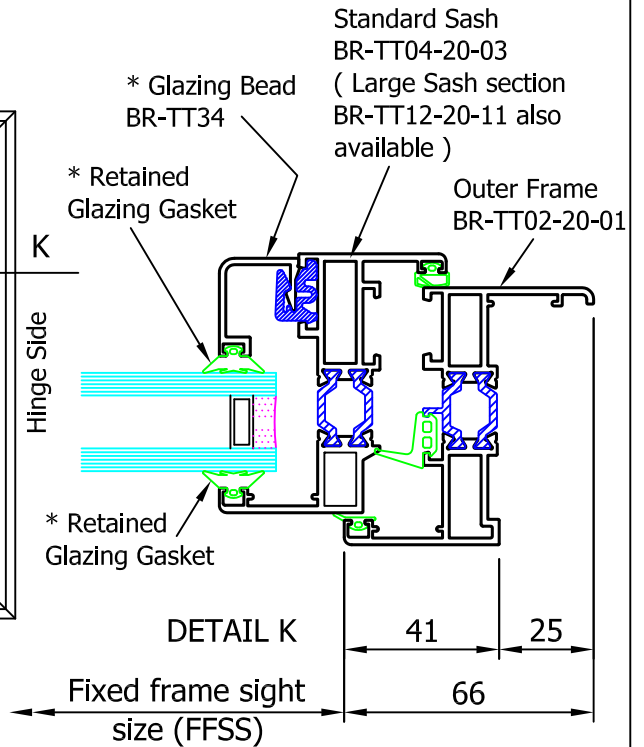


* For glazing options see section 9 of this manual.

OUTSIDE ELEVATION AND HORIZONTAL SECTIONS



INSIDE



* For glazing options
see section 9 of this manual.

